



LEUPOLD

BINOCULAR OWNER'S MANUAL

Complete Setup & Operating Instructions

REGISTER YOUR PRODUCT AT: LEUPOLD.COM/PRODUCT_REGISTRATION/PRODUCT

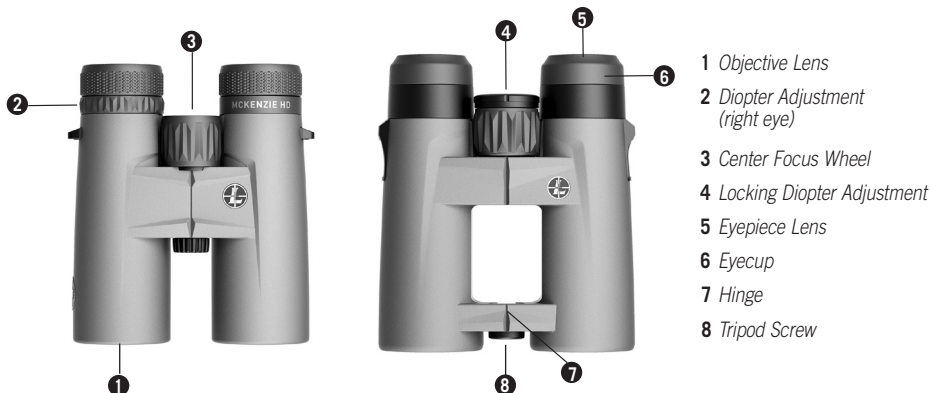
LET'S GET STARTED

Scan the QR code for additional Leupold Binocular Support



- Binocular overview
- Installing Form-Fit eyecups
- Setting up your binocular harness
- Binocular maintenance and troubleshooting

PARTS OF THE BINOCULAR



We design, build, and test our binoculars with a single-minded focus: to make sure they'll perform forever. You won't outlast us. You can't outperform us.

USING YOUR LEUPOLD BINOCULAR

Using your Leupold binocular is very simple. However, you must set them to match your eyesight before use. This is done by adjusting the interpupillary distance and focusing the binoculars to your own visual acuity.

ADJUSTING INTERPUPILLARY DISTANCE

The interpupillary distance is simply the distance between the pupils of your eyes. To ensure a clear, single image, the binocular must be set so that the center of each ocular lens is the same distance apart as your own pupils.

To set the interpupillary distance:

1. Hold the binocular up to your eyes in the normal manner
2. Look through the binocular with both eyes open.
3. Move the two barrels (halves) up or down until you see a single, circular image.

SETTING THE DIOPTER ADJUSTMENT

The diopter adjustment allows you to focus the binocular to your individual eyesight. This is important, as a properly focused binocular will prevent eye strain and provide you with a crisp, sharp image.

NOTE: The diopter adjustment on center focus models is located on the center focus dial. Models utilizing an eyepiece diopter design will have the diopter located on the right eyepiece.

TO SET THE DIOPTER ADJUSTMENT ON RIGHT EYEPIECE DIOPTER ADJUSTMENT MODELS:

1. View an object about 100 yards in the distance.
2. Cover the right objective lens with your hand.
3. Adjust the center focus wheel (located between the two barrels) until the image presented to your left eye is clear and sharp.
4. Cover the left objective lens with your hand.
5. Adjust the diopter adjustment dial located around the right barrel, near the eyepiece, until the image presented to your right eye is clear and sharp.

Your binocular is now focused for your eyesight. To make any adjustments in the field, simply turn the center focus dial while viewing through both barrels.

TO SET THE CENTER FOCUS DIOPTER ADJUSTMENT:

1. Find an object roughly 100 yards away.
2. Cover the right objective lens with your hand.
3. Adjust the center focus wheel until the image you're looking at with your left eye is clear and sharp.
4. Switch and cover the left objective lens with your hand.
5. Pull up on the diopter adjustment dial located on top of the center focus wheel. The diopter wheel should now spin freely.
6. Rotate the diopter adjustment dial until the image you're looking at with your right eye is clear and sharp.
7. Push down on the locking diopter dial until it locks in place.

The binocular is now focused for your specific eyesight. You will need to use the center focus wheel when glassing in the field.

CLEANING

You can clean the fully armored body by simply wiping off any accumulated dirt or dust.

TO CLEAN LENSES

Leupold binoculars require minimal maintenance. To keep yours in working order, occasionally blow on the exterior lenses or use a soft lens brush, such as the one found on the Leupold LensPen®, to remove any dust or debris. To remove fingerprints or water spots from the lenses, use a microfiber cloth or the cleaning end of the Leupold LensPen. A lens tissue with cleaning fluid may be used on stubborn dirt, but always apply the fluid directly to the cloth, never to the lenses.

A NOTE FOR THOSE WHO WEAR EYEGLASSES

Leupold binoculars feature eyecups you can twist, or push up and down to accommodate the eye relief distance required when wearing eyeglasses. Some Leupold binocular models include swappable Form-Fit eyecups for an enhanced viewing experience.

WARRANTY SERVICE

Should service ever become necessary, this binocular is backed by the Leupold Full Lifetime Guarantee. All service work is performed by the Leupold Product Service department in Beaverton, Oregon.

LEUPOLD PRODUCT SERVICE

If your Leupold binocular fails to perform in any way, you may return it directly to the factory (or one of our international service centers) for service. To return a product for service from within the U.S. follow these shipping instructions:

1. Remove accessories from the binocular.
2. Record the serial number of the binocular and keep it for your records.
3. Visit leupold.com/rma/warranty/create and follow the instructions there to start the warranty process. When shipping the product, include the packing slip that will be provided.
4. Pack the binocular in its original box (if you have it), as this is the safest shipping container. Wrap the package securely using filament strapping tape on the outside.
5. Ship the binocular by a traceable parcel or mail service (insured, if possible) to one of the following addresses:

IN THE UNITED STATES:

BY PARCEL SERVICE:

Leupold Product Service
14400 NW Greenbrier Parkway
Beaverton, OR 97006-5791 USA

BY POSTAL SERVICE:

Leupold Product Service
P.O. Box 688
Beaverton, OR 97075-0688 USA

Product Service telephone number (800) LEUPOLD (538-7653). Or contact us at leupold.com.

OUTSIDE THE UNITED STATES:

Canada: Korth Group Ltd., 64186-393 Loop East, Okotoks, AB T1S 0L1, Canada

Australia: Nioa, 80 Lomandra Drive, Eagle Farm, Qld 4009 Australia (for items originating from Australia, New Zealand, New Caledonia and Japan)

South Africa: Formalito, 1019 Pretorius Ave., Lyttelton Manor, 0157, South Africa

THE LEUPOLD LIFETIME GUARANTEE

If your Leupold scope, sight, binocular or spotting scope doesn't perform, we will repair or replace it for free, whether you're the original owner or not – forever.

Anyone can offer you a lifetime warranty, but guaranteeing performance takes serious dedication and craftsmanship. From our Beaverton Oregon factory, to the wilderness, the battlefield, and everywhere in-between, we won't let you down.

For complete details visit leupold.com/warranty

LEUPOLD, GOLD RING, MARK 4, the Golden Ring design, the circle-L reticle logo design, and various other marks are registered trademarks of Leupold & Stevens, Inc. All marks, including corporate logos and emblems, are subject to Leupold's rights and may not be used in connection with any product or service that is not Leupold's, or in any manner that disparages or discredits Leupold, or in a manner likely to cause confusion.

For patent information, visit leupold.com/patents

Copyright © 2023 Leupold & Stevens, Inc. All rights reserved.



LEUPOLD.COM

LEUPOLD & STEVENS INC.

P.O. BOX 688
BEAVERTON, OR 97075-0688 U.S.A.
1(800) LEUPOLD (538-7653)

14400 NW GREENBRIER PARKWAY
BEAVERTON, OR 97006-5790 U.S.A.
(503) 526-1400